

1002TM spectrathermTM

Hand-Held Short Wave Infra-Red Curing Lamp

AMH[®]

An hand-held Short Wave Infra-Red Curing Lamp for an easy, fast and effective use. Designed for paint bodyshops demanding high quality and reliability.


spectratekTM

Cure on any substrate, putty or primer.

Comfortable and safety handling of the lamp with two handles.

Easy to operate with a simple ON/OFF switch.

Power consumption: 1000W



State of the art technology at your finger tips

Features of a Spectratherm™ 1002 Short Wave IR curing system:

▪ Versatile:

Cures on any substrate.
Cures putty or primer.

▪ Rapid temperature climb:

Maximum heat transfer.

▪ Uniform, focused cure area - no hot or cold spots:

Full focused IR reflector.

Curing area:

18" x 9" = 162in²

(46cm x 23cm = 1058cm²).

distance to vehicle: 12" (30cm).

▪ Very simple control

ON/OFF switch.

▪ Short Curing Time

Polyester putties in approx 4 minutes,

water and solvent based products in

under 10 minutes.

PAINT MATERIAL	TOTAL CURING TIME
Top Coat	7-10 minutes
Non-Sanding	2-7 minutes
Water-Thinnable Filler	7-9 minutes
Primer	3-8 minutes
Polyester Filler/Stopper	2-3 minutes

▪ Easy to maintain:

Removable grill.

Cleanable, solvent resistant reflector.

Interchangeable bulbs.

▪ Built-in safety features:

CE approval

▪ Economical:

Lower purchase price and running costs than other conventional methods.

▪ Spectratek quality design, construction and service:

Highest quality components designed and built in North America.

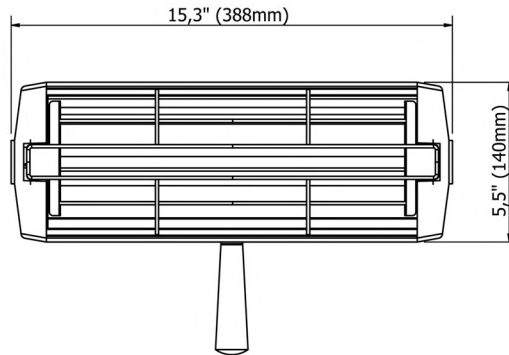
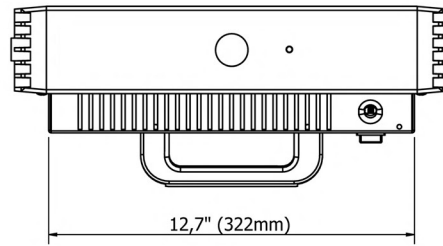
Compact, modular design.

Lightweight, strong, stable and rugged construction.

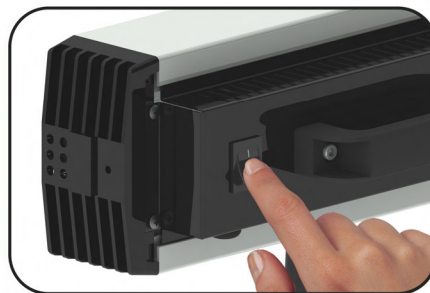
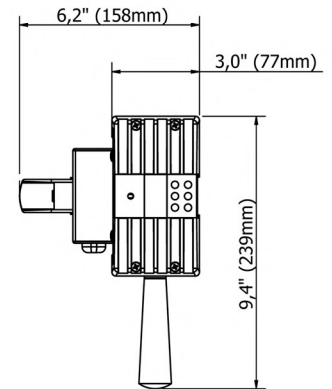
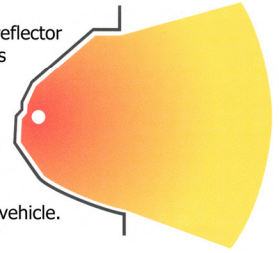
Comprehensive warranty.

▪ Power requirements:

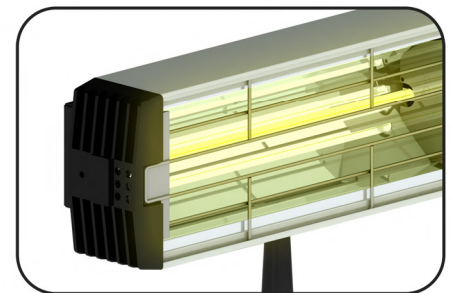
220/240 volt, 1 Phase, 50-60Hz.



The unique reflector that envelops the lamp is specifically designed to direct all the energy from the lamp towards the vehicle.



Simple ON/OFF Switch



High performance reflector

SOLID BACKING BY EXPERTS IN THE INDUSTRY

The manufacturers of Spectratek™ have years of experience in the automotive paint field and the highest level of technical expertise in Short Wave Infra-Red technology as it applies to the automotive industry.

Spectratek™ is committed to developing the highest quality products and invests in extensive research, development, and testing. Ongoing research ensures that the products we develop will continue to effectively meet the needs of the Collision repair industry today and in the future.

All Spectratek™ products are supported by fully qualified service and distribution facilities. Servicing can be conducted onsite to minimize downtime and cost.

Contact Spectratek™ today.

Due to our commitment to quality and service, design & specifications may change without notice.



AMH Canada Ltée/Ltd
391, rue St-Jean-Baptiste Est
Rimouski (Québec) Canada G5L 1Z2
Tel: (418) 724-4105 Fax: (418) 722-6108
e-mail: amhcanad@amh.ca

Distributor